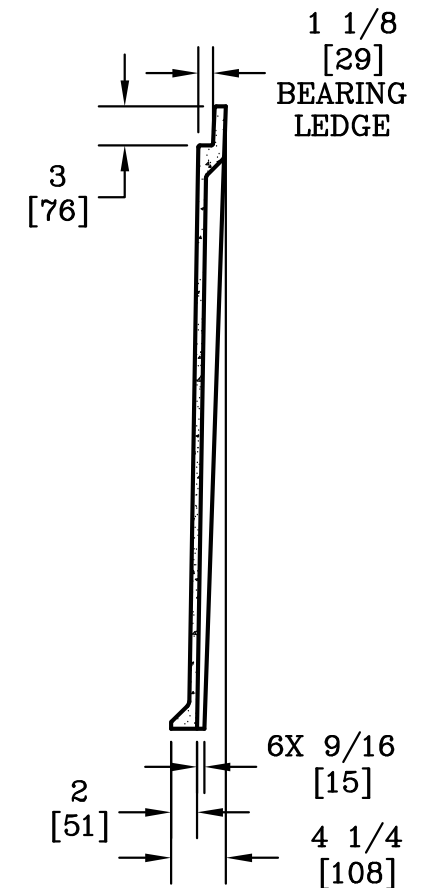
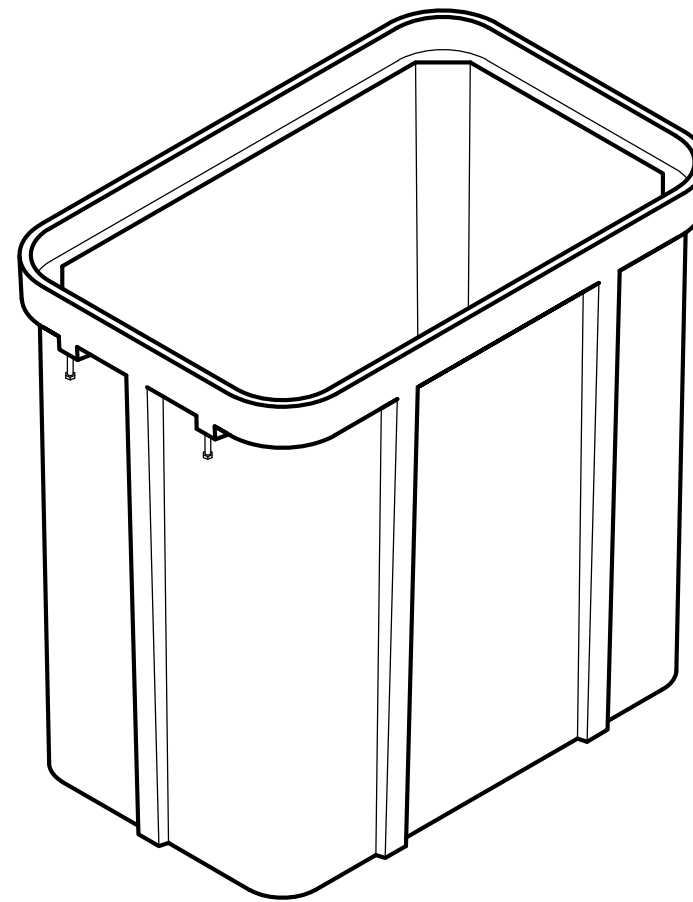
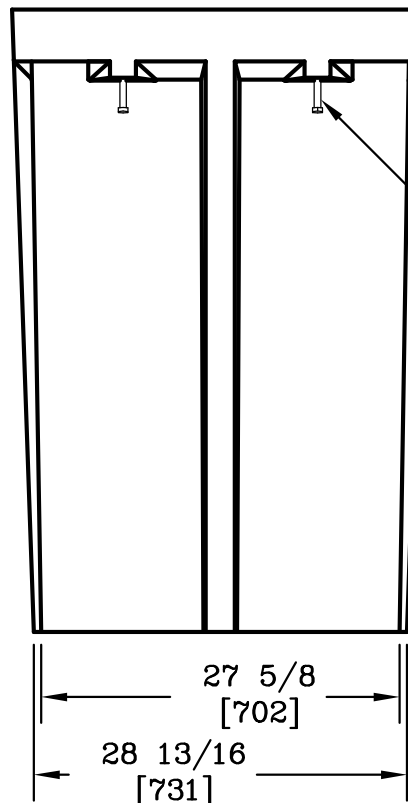
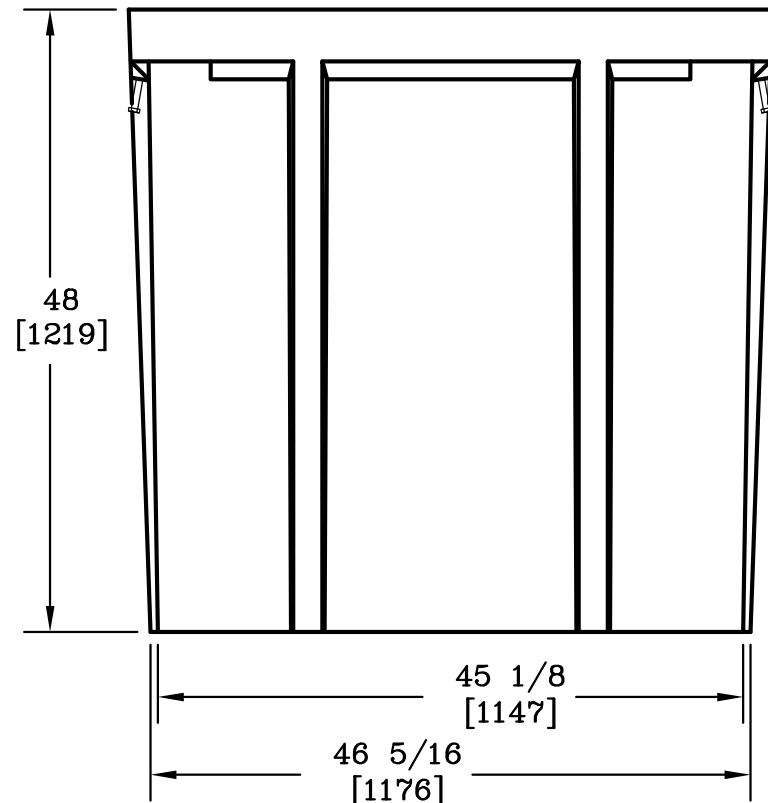


3/8-7 SELF ALIGNING,
REPLACEABLE S.S. EZ-NUT
2 PLACES



SECTION A-A



1/2-13 UNC
LIFTING BOLT
4 PLACES



NOTE:

1. THIS BOX IS TO BE USED AS THE BOTTOM UNIT WHEN USED IN AN ASSEMBLY.

DIMENSIONS ARE IN INCHES OR MILLIMETERS IN BRACKETS UNLESS OTHERWISE NOTED.					
DRN	BY	DATE	WEIGHT	3621 INDUSTRIAL PARK DR LENOIR CITY, TN 37771 800-346-3062 www.quazite.com	LOC
CHK	ENG	APR	468# 212kg		LC
APR	APR		SCALE	DRAWING DESCRIPTION QUAZITE® 30 X 48 X 48 BOX STANDARD VERSION	REV
			3/4"=1'		B
			SIZE		3/14
			B		
PROJECT NUMBER				DRAWING NUMBER	
108087				PG3048BA48	
SHEET 1 OF 1					